



RAA20



RAA200

Room thermostats

RAA20..

Adjustable for heating only or cooling only

- **2-position control**
- **Switching voltage AC 24...250 V**

Use

The RAA20.. room thermostat is used in heating only or cooling only systems to maintain the selected room temperature.

Typical use:

- Residential buildings
- Light industrial buildings

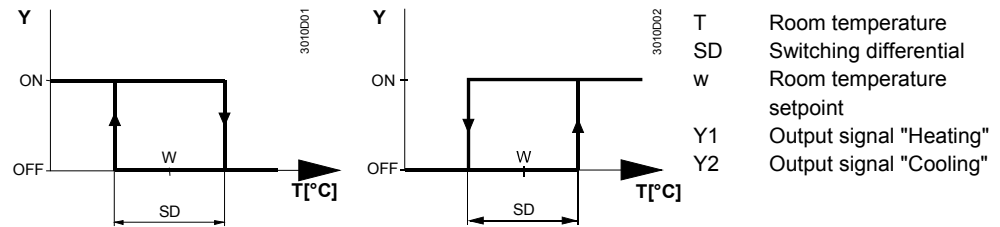
In conjunction with

- zone valves or thermal valves
- gas or oil burners
- fans
- pumps

Functions

The RAA20.. room thermostat has separate outputs for heating only and cooling only. If the room temperature falls below the selected setpoint, the heating contact will close. If the room temperature exceeds the selected setpoint, the cooling contact will close.

Function diagrams



Type summary

Functionality	Product no. (ASN)
Room thermostat for heating or cooling mode Switching voltage AC 24...250 V	RAA20
Room thermostat for heating or cooling mode with large dial (large temperature setting knob) and color scale Switching voltage AC 24...250 V	RAA200

Equipment combinations

Description	Product no. (ASN)	Data sheet
Motoric on / off actuator	SFA21...	4863
Thermal actuator (for radiator valves)	STA21...	4893
Thermal actuator (for small valves 2.5 mm)	STP21...	4878

Accessories

Description	Product no. (ASN)
Adapter plate 120 x 120 mm for 4 x 4" conduit boxes	ARG70
Adapter plate 96 x 120 mm for 2 x 4" conduit boxes	ARG70.1
Adapter plate for surface wiring 112 x 130 mm	ARG70.2

Technical design

Key features of the RAA20.. room thermostat:

- 2-position control
- Gas-filled diaphragm

Adjustments

The required temperature setpoint is selected with the setting knob on the front of the thermostat.

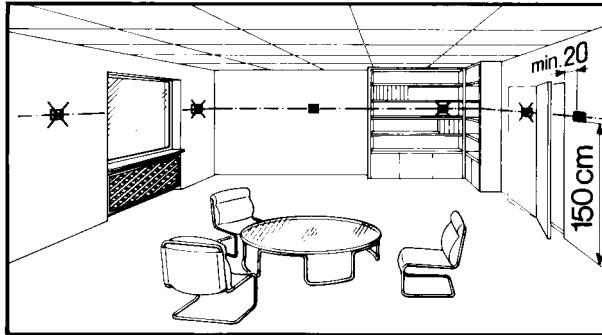
The setpoint setting range can be mechanically limited by means of setpoint limiters under the unit cover.

Notes

Mounting, installation and commissioning

The thermostat should be located where the room temperature can be acquired as accurately as possible, without getting adversely affected by direct solar radiation or other heat or refrigeration sources.

Mounting height is about 1.5 m above the floor.



The thermostat can be fitted to most commercially available recessed conduit boxes or directly on the wall.

Only authorized personnel may open the unit to perform service (**Caution: AC 24...250 V!**). The unit must be isolated from the mains supply before opening.

When installing the unit, fix the baseplate first, then hook on the thermostat body and make the electrical connections. Then, fit the cover and secure it (also refer to separate mounting instructions).

The thermostat must be mounted on a flat wall.

The local electrical regulations must be complied with.

If there are thermostatic radiator valves in the reference room, set them to their fully open position.

The room thermostat is maintenance-free.

The diaphragm is filled with environment-friendly gas.

The housing is made of plastic.




Maintenance Mechanical design

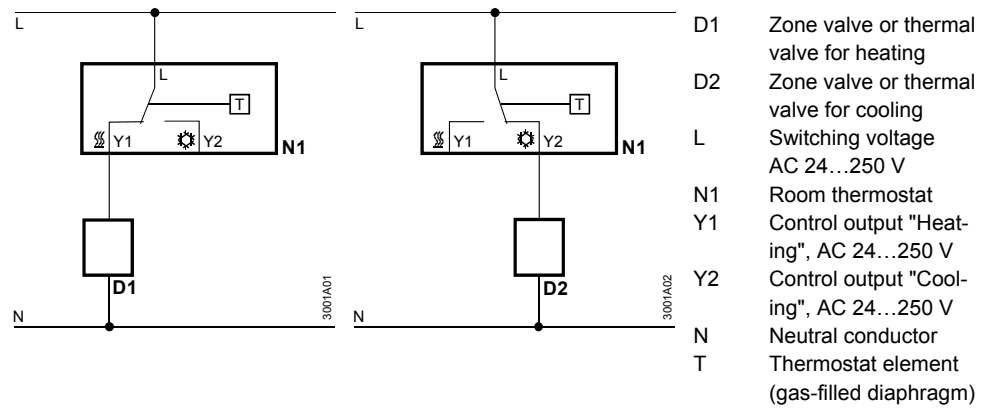
Technical data



	Switching capacity	
	Voltage	AC 24...250 V
	Current	0.2...6(2) A
	Frequency	50 or 60 Hz
Operational data	Switching differential SD	≤1 K
	Setpoint setting range	8...30 °C
Environmental conditions	Operation	To IEC 721-3-3
	Climatic conditions	Class 3K5
	Temperature	0...50 °C
	Humidity	<95% r.h.
	Pollution degree	Normal, to EN 60730
Transport / storage	Transport / storage	To IEC 721-3-2
	Climatic conditions	Class 2K3 / 1K3
	Temperature	-20...50 °C
	Humidity	<95% r.h.
	Mechanical conditions	Class 2M2
Norms and standards	CE conformity	
	EC directive on EMC	2004/108/EC
	Low-voltage directive (LVD)	2006/95/EC
Product standards	Automatic electrical controls for household and similar use	EN 60730-1 and EN 60730-2-9

EMC – standard	EN 61000-3-2 and EN 61000-3-3
EMission	
 ^{N474} C-Tick conformity to EMC emission standard	AS/NSZ 4251.1:1994
Safety standard	II to EN 60730
Degree of protection of housing	IP30 to EN 60529
Screw terminals for	2 x 1.5 mm ² or 1 x 2.5 mm ² (min. 0.5 mm ²)
Weight	0.14 kg (RAA20) 0.20 kg (RAA200)
Color	White, NCS S 0502-G (RAL 9003)

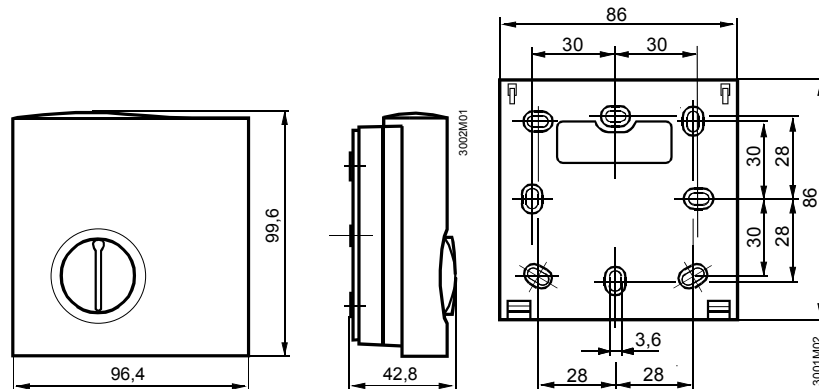
Connection diagrams



Dimensions

Room thermostat / baseplate

RAA20



RAA200

